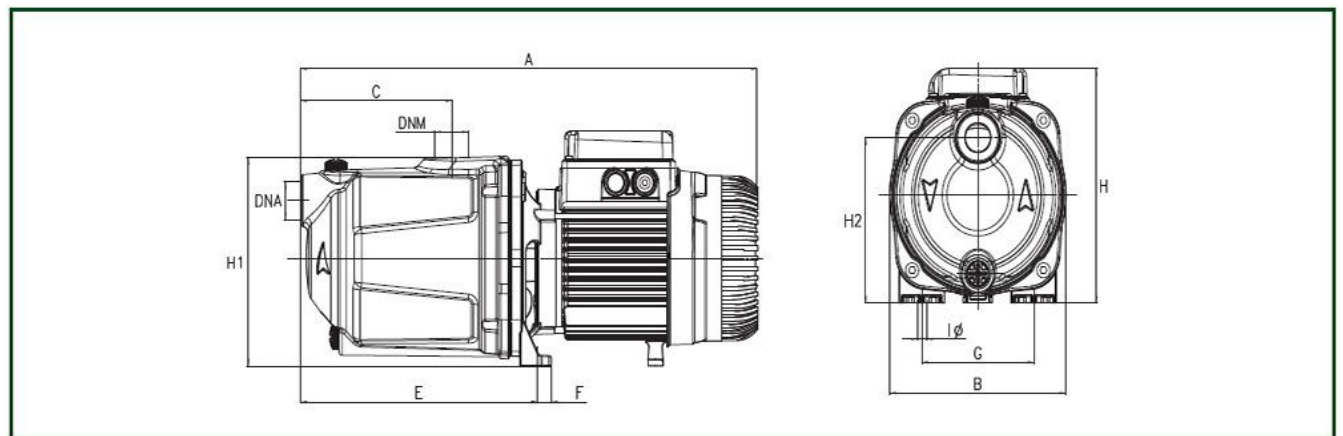
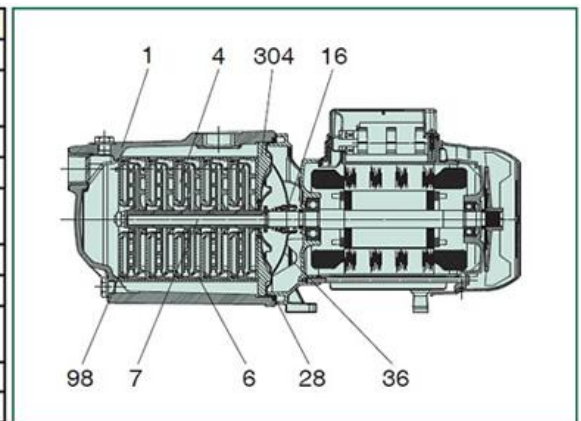
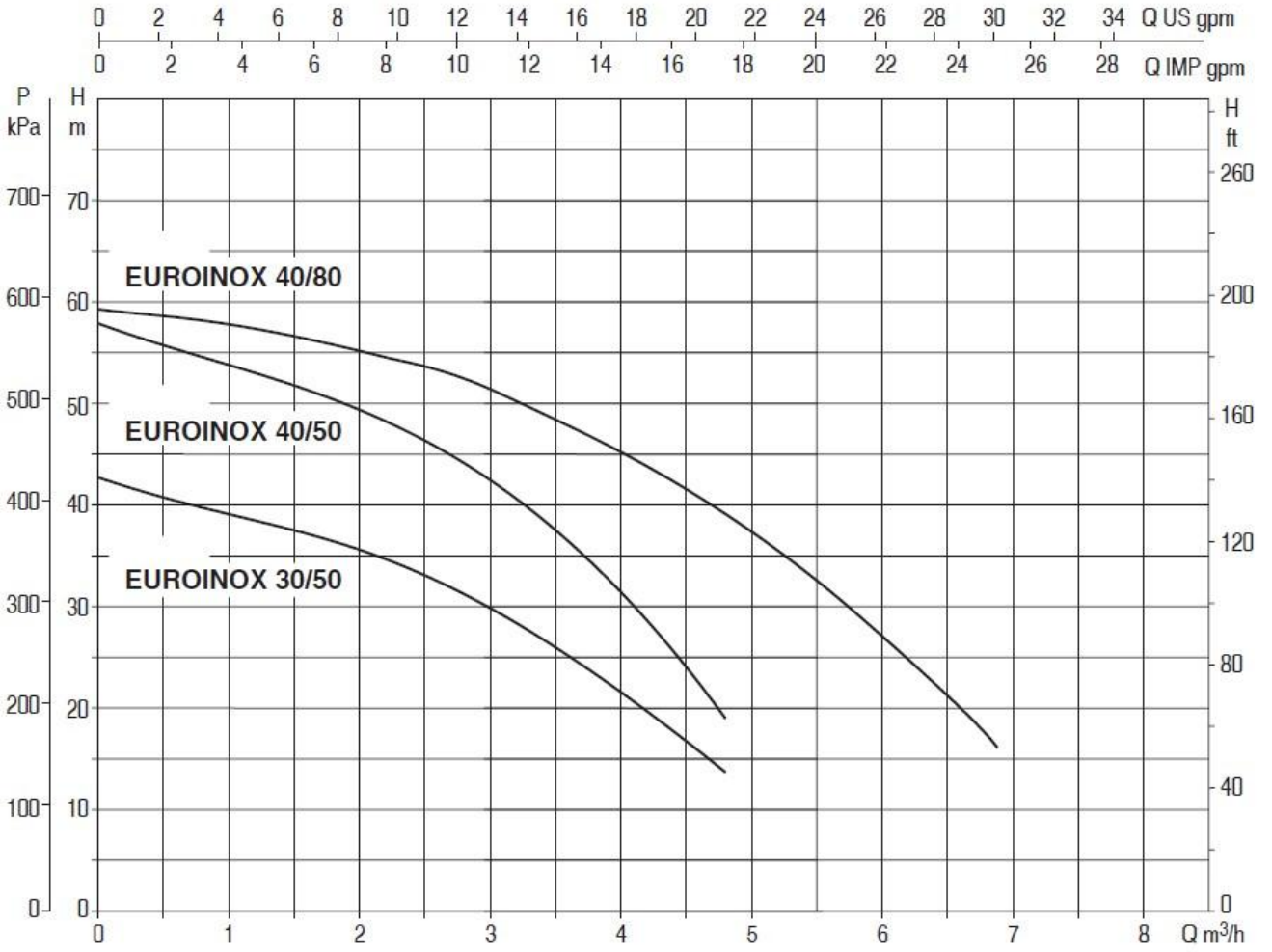


| N. | PARTS* | MATERIAL |
|-----|-------------------|--|
| 1 | PUMP BODY | STAINLESS STEEL AISI 304 X5C RNI 1810 UNI 6900/71 |
| | (EUROINOX) | |
| 4 | IMPELLER | TECHNOPOLYMER |
| 6 | DIFFUSER | TECHNOPOLYMER |
| 7 | SHAFT WITH ROTOR | STAINLESS STEEL AISI 304 X5C RNI 1810 UNI 6900/71 |
| 16 | MECHANICAL SEAL | CARBON/CERAMIC |
| 28 | OR GASKET | NBR RUBBER |
| 36 | SEAL HOLDER COVER | STAINLESS STEEL AISI 304 X5C RNI 1810 UNI 6900/71 |
| 98 | DIFFUSER BODY | TECHNOPOLYMER |
| 304 | REAR DISK | TECHNOPOLYMER |



| MODEL | A | B | C | E | F | G | I ø | H | H1 | H2 | DNA | DNM | PACKING DIMENSIONS | | | VOLUME m ³ | WEIGHT | |
|------------------|-----|-----|-------|-----|------|-----|-----|-----|-----|-------|-----|-----|--------------------|-----|-----|--------------------------|--------|------|
| | | | | | | | | | | | | | L/A | L/B | h | | M | Kg T |
| EUROINOX 30/50 M | 378 | 175 | 94,5 | 180 | 13,5 | 111 | 9 | 194 | 179 | 143,5 | 1"G | 1"G | 440 | 206 | 245 | 0,025 | 11,5 | 11,3 |
| EUROINOX 40/50 M | 452 | 175 | 149,5 | 235 | 13,5 | 111 | 9 | 204 | 179 | 143,5 | 1"G | 1"G | 480 | 212 | 265 | 0,031 | 15,6 | 15,4 |
| EUROINOX 40/80 M | 452 | 175 | 149,5 | 235 | 13,5 | 111 | 9 | 204 | 179 | 143,5 | 1"G | 1"G | 480 | 212 | 265 | 0,031 | 16,3 | 15,9 |



| MODEL | ELECTRICAL DATA | | | | | | | | HYDROULIC DATA (n = 2800 1/min) | | | | | | | | | | | | | | | | |
|---------|-----------------|------------------|-----------|---------------|------|-----|---------|-----------|---------------------------------|------|------|------|------|------|------|------|------|------|------|------|-----|--|--|--|--|
| | NO IMPELLER | VOLTAGE 50 Hz | P1 | | P2 | | In A | CAPACITOR | | Q | | | | | | | | | | | | | | | |
| | | | MAX KW | NOMINAL KW | HP | μF | | Vc | m³/h | 0 | 0,6 | 1,2 | 1,8 | 2,4 | 3 | 3,3 | 3,6 | 4,2 | 4,8 | 6 | 7,2 | | | | |
| 30/50 M | 3 | 1X220-240 V ~ | 0,88 | 0,56 | 0,75 | 3,9 | 12,5 | 450 | H (m) | 42,5 | 40,2 | 38,2 | 36,2 | 33,8 | 30 | 27,5 | 24,8 | 19,5 | 14 | | | | | | |
| 40/50 M | 4 | 1X220-240 V ~ | 1,2 | 0,75 | 1 | 5,3 | 25 | 450 | | 57,5 | 55,3 | 52,8 | 50,1 | 47,1 | 42,7 | 39,5 | 35,8 | 28 | 19 | | | | | | |
| 40/80 M | 5 | 1X220-240 V ~ | 1,48 | 1 | 1,36 | 6,3 | 25 | 450 | | 59 | 58 | 57 | 56 | 54 | 51 | 49,5 | 47,5 | 43,8 | 39,5 | 29,5 | 16 | | | | |