

**APP - KENJI**

# Submersible Pump 50Hz



# JDS/JSB SERIES (ALL #316 SST)

## Submersible Vortex Sewage Pump

Sea Water



### Feature:

- Non-clogging, minimized abrasive wear, large impeller clearance, and maintenance free

### Application:

- Medium concentration wastewater, heavy duty,
- JSB type is suitable for PH 3~11 waste water,
- JSB type is also for sea water.



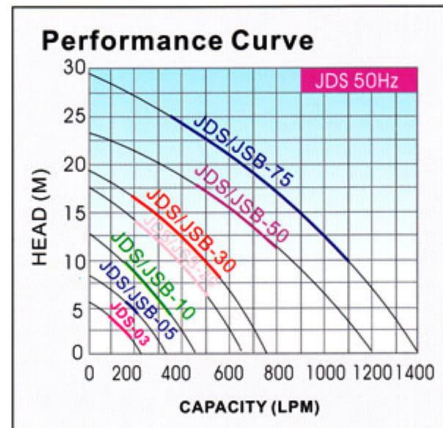
JSB Impeller (SUS 316)



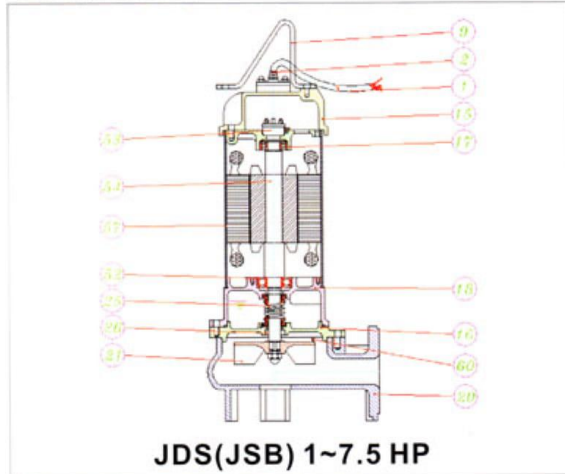
JDS Vortex Impeller

### Parts and Material List

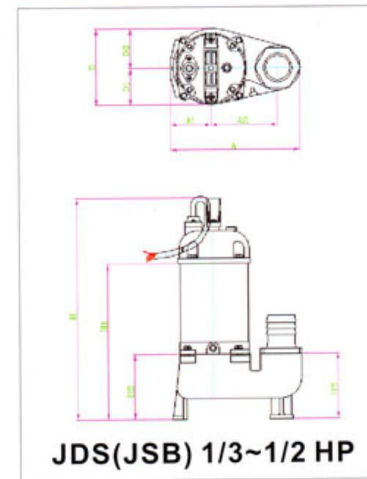
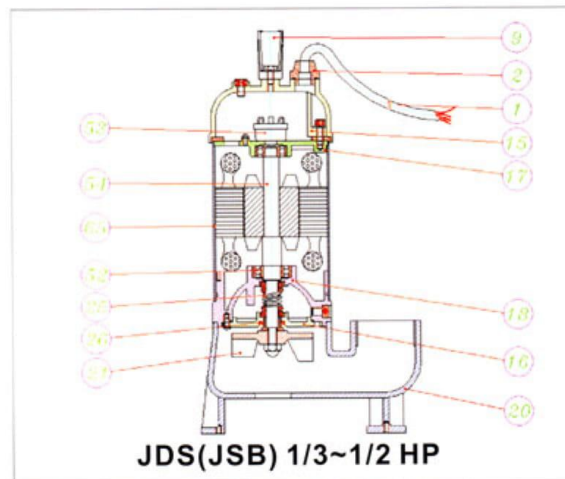
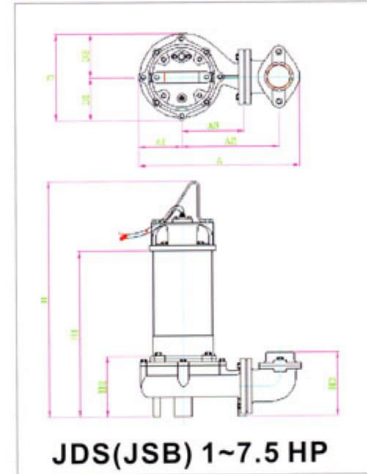
NO	PART	MTRL	
		JDS	JSB
1	Cable	VCT	VCT
2	Cable Hood	PVC	PVC
9	Handle	Nylon 6/SS41	SUS 304
15	Motor Cover	Nylon 66/FC 200	SUS 316
16	Seal Housing	FC 200	SUS 316
17	Bracket	FC 200	FC 200
18	Oil Chamber	FC 200	SUS 316
20	Pump Casing	FC 200	SUS 316
21	Impeller	FC 200	SUS 316
25	Mech. Seal	CA/CE	SIC/SIC
26	Oil Seal	NBR	Viton
52	Bearing	(NTN)	(NTN)
53	Protector	(T.I. / YAMADA)	(T.I. / YAMADA)
54	Shaft	SUS 410	SUS 316
65	Motor Housing	SUS 304	SUS 316



## Construction



## Dimension



## Specifications

Type	Output	Discharge	Phase	Rated		Maximum		Dimension (mm)											Cable	G.W
				Head	Capacity	Head	Capacity	A	A1	A2	A3	D	D1	D2	H	H1	H2	H3		
				M	LPM	M	LPM	M	M	M	M	M	M	M	M	M	M	M		
JDS(JSB)-03	1/3	2"	1.3	4	100	6	220	223	70	115	NA	132	63	69	356	325	112	113	5	13.0
JDS(JSB)-05	1/2	2"	1.3	6	110	8	320	223	70	115	NA	132	63	69	381	325	112	113	5	19.0
JDS(JSB)-10	1	2"(3")	1.3	9	220	12.5	460	223	70	115	NA	132	63	69	411	355	112	113	5	24.0
JDS(JSB)-20	2	2"(3")	1.3	10	350	17.5	650	390	103	235	151	210	105	105	570	400	150	152	5	32.0
JDS(JSB)-30	3	2"(3")	3	11	450	19.5	750	390	103	235	151	210	105	105	590	420	150	152	5	35.0
JDS(JSB)-50	5	3"(4")	3	10	800	23.5	1200	458(509)	110	256(294)	176	227	110	117	633	468	160	225	10	66.0
JDS(JSB)-75	7 1/2	3"(4")	3	12	1040	29.5	1400	458(509)	110	256(294)	176	227	110	117	673	508	160	225	10	72.0

Note1: Automatic models are available in single-phase versions.

Note2: Q. D. C. (Quick Discharge Connection) is applied in all models.